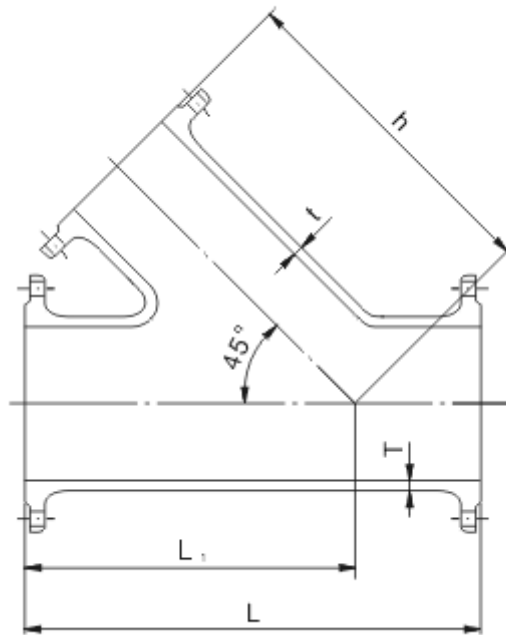




●All Flanged Angle Branch



Unit : mm

DN		Thickness		Dimensions			Weight (Include flanged 7.5K) (kg)
D	d	T	t	L	L ₁	h	
150	100	7.8	7.2	515	445	445	36.8
	150	7.8	7.8	585	480	480	45.3
200	100	8.4	7.2	534	490	490	47.0
	150	8.4	7.8	605	525	525	55.8
	200	8.4	8.4	676	560	560	67.1
250	150	9.0	7.8	624	570	570	71.1
	200	9.0	8.4	695	605	605	82.7
	250	9.0	9.0	767	640	640	98.7
300	150	9.6	7.8	653	605	605	84.3
	200	9.6	8.4	725	640	640	98.9
	250	9.6	9.0	801	680	680	115.5
350	200	10.2	8.4	744	680	680	120.2
	250	10.2	9.0	815	715	715	136.6
400	200	10.8	8.4	763	725	725	140.4
	250	10.8	9.0	830	755	755	156.8
450	200	11.4	8.4	788	770	770	169.9
	250	11.4	9.0	859	805	805	187.9
500	200	12.0	8.4	802	810	810	194.2
	250	12.0	9.0	865	835	835	211.6